

City of Mountain View

Fire Department



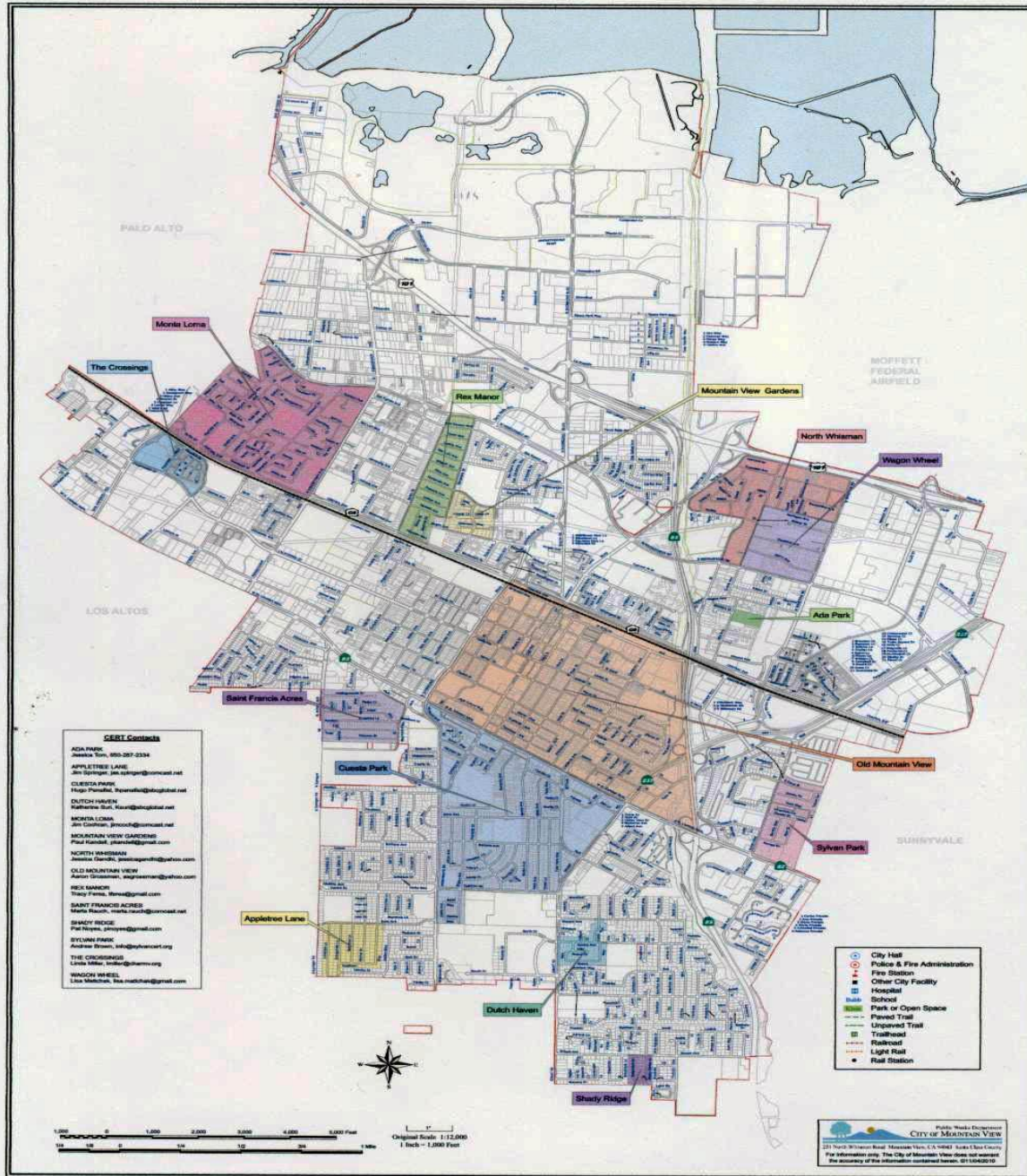
CERT + Ham Communications

WHY Communication is Important to both the CERT and the City

- ◆ Without communication, the CERT is completely isolated, with no way to ask for help
- ◆ Without communication from the CERT, the City has no knowledge of neighborhood conditions or what help is needed

CITY OF MOUNTAIN VIEW
CERT Map

Published: November 4th, 2010



CERT Contacts

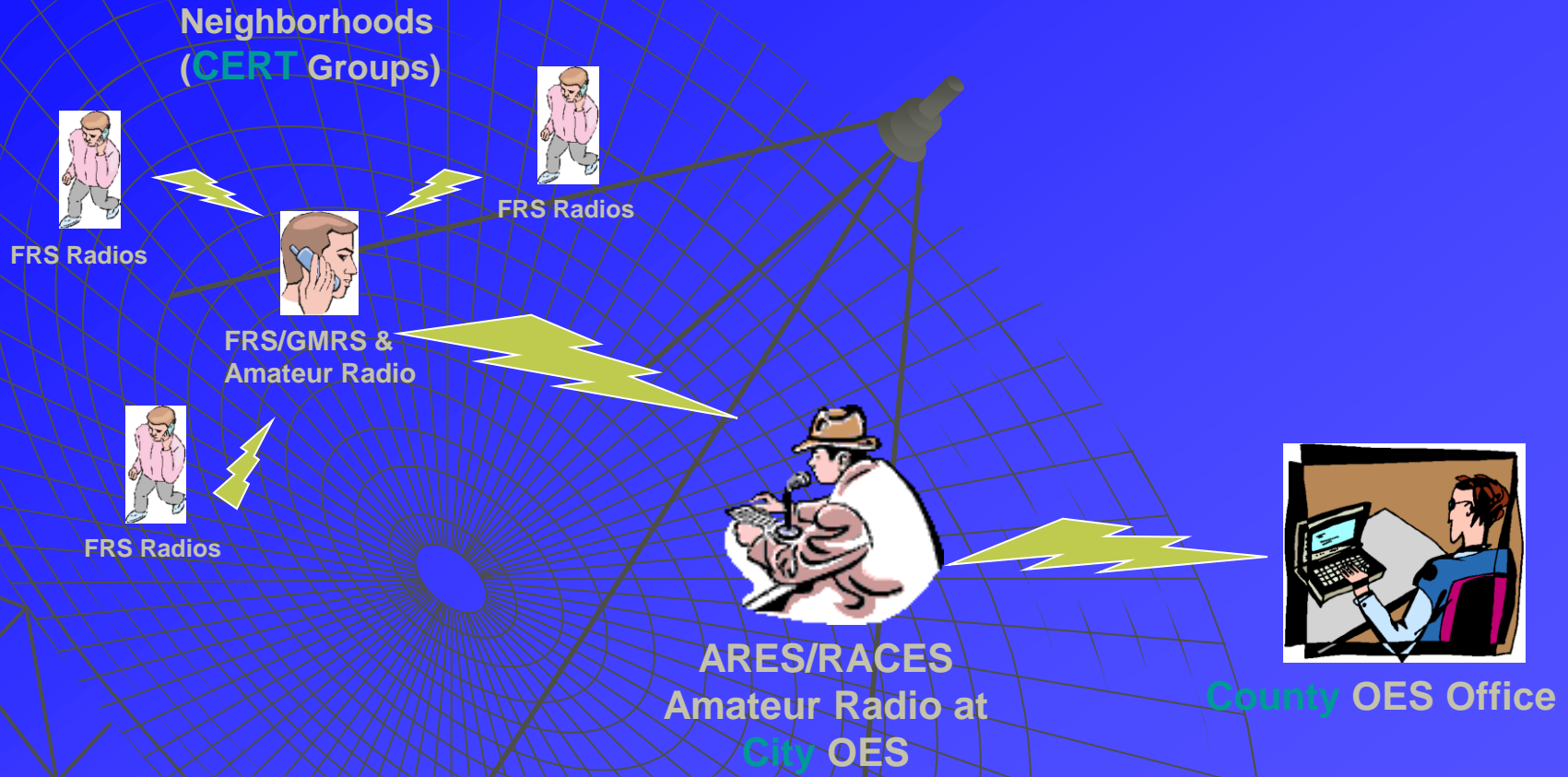
ADA PARK	Jessica Tom, 950-387-8334
APPLETREE LANE	Jim Springer, jim.springer@cityofmv.net
CLEISTA PARK	Hugo Peralta, hperalta@cityofmv.net
CUTCHAWASH	Rafaela Sal, rafsal@cityofmv.net
MOUNTA LOMA	Jim Collins, jcollins@cityofmv.net
MOUNTAIN VIEW GARDENS	Paul Hancock, phancock@gmail.com
NORTH WHISMAN	James Hancock, jameshancock@cityofmv.com
OLD MOUNTAIN VIEW	Austin Greenman, aagreenman@yahoo.com
REDAWOOD	Tracy Farris, farris@gmail.com
SAN FRANCISCO ACRES	Marie Hauch, mariehauch@cityofmv.net
SHADY RIDGE	Pat Farris, pfarris@cityofmv.net
SYLVAN PARK	Andrew Brown, ab@cityofmv.net
THE CROSSINGS	Linda Miller, lindam@cityofmv.net
WAGON WHEEL	Lisa Mitchell, lisa.mitchell@gmail.com

- City Hall
- Police & Fire Administration
- Fire Station
- Other City Facility
- Hospital
- School
- Park or Open Space
- Paved Trail
- Unpaved Trail
- Trailhead
- Railroad
- Light Rail
- Rail Station



Public Works Department
CITY OF MOUNTAIN VIEW
201 North Whisman Road Mountain View, CA 94041 Santa Clara County
For information only. The City of Mountain View does not warrant the accuracy of the information contained herein. 011042010

COMMUNICATIONS PATH BETWEEN THE NEIGHBORHOODS, CITY & COUNTY



FRS Channel Table

Unit	FRS Channel	Tactical Call Sign	Msg. Prefix	Fire Station
City-wide Common*	01			
◆ Ada Park	06	Ada	APK	4
◆ Appletree	14	Appletree	ATA	2
◆ Cuesta Park	04	Cuesta	CPK	2
◆ Dutch Haven	12	Dutch	DHN	2
◆ Monta Loma	03	Monta Loma	MLN	3
◆ Mtn. View Gardens	09	Gardens	MVG	3
◆ North Whisman	05	Whisman	NWA	4
◆ Old Mtn. View	07	Old MV	OMV	1
◆ Rex Manor	08	Rex	REX	3
◆ St. Francis Acres	05	St. Francis	SFA	2
◆ Shady Ridge	11	Shady	SHD	2
◆ Slater	06	Slater	SLA	4
◆ Sylvan	13	Sylvan	SLV	4
◆ The Crossings	10	Crossings	XNG	3
◆ Varsity Park	10	Varsity	VAR	2
◆ Wagonwheel	02	Wagon	WWA	5

**To be used for communications between CERTs*

FRS: First Step Collection



WHAT to Communicate

- ◆ Need to know:
 - Uncontrolled fires
 - Hazards: Gas, Water, Electrical or Chemical
 - Extent of building damage
 - Numbers of people injured, trapped or dead
 - Road obstructions or blockages
- ◆ Any other situations where threats to life exist
- ◆ Any situations that are growing or getting worse
- ◆ CERT status for EOC master list

HOW To Accumulate

CERT - DAMAGE ASSESSMENT FORM

REV 1-00

DATE: 5/15/11		EVENT: CityWide Exercise										PERSON RECORDING / ID#:					PAGE #: 1 of 1						
Incident #	Reported	Priority	LOCATION	BURNING	OUT	GAS LEAK	H2O LEAK	ELECTRIC	CHEMICAL	LIGHT	MODERATE	HEAVY	IMMEDIATE **	DELAYED	TRAPPED	DEAD	ACCESS	NO ACCESS	OTHER	ASSIGNED	COMPLETED	COMMENTS	
				0	0	0	0	0	0	0	0	0	0	0	0	0	0	0	0	0	0		0
#	TIME	By	LOCATION	FIRE	HAZARD	BUILDING Damage	PEOPLE	ROAD															
1	1301	2	1	325 Paul	1	0	1	0	0	0	0	0	1	6	18	0	2						
2	1303	6	1	25W Dana			0	1	0	0	0	1	0	8	20	60	3	0	1				Landels wing collapsed
3	1304	9	2	125 Church			0	1	0	0	0	1					0	1					Tree across Church
4	1305	4	1	135 Mercy	1	0	1	0	1	0	0	0	1	4	9	0	2	10					Power line down
5	1307	8	1	152 Bush	1	0					0	0	1	2	8	10	0	1					Thick smoke
6	1309	6	1	272 Bush	1	0	1	0	0	0	0	1	1	4	9	1	0	1					
7	1310	4	1	372 Bryant			0	1	0	0	0	1	0	2	6	11	2	1	0				Chimney fell
8	1311	3	1	631 Oak	1	0	1	0	0	0	0	1	0	1	2	5	1	1	0				
9	1313	9	1	238 Villa							0	0	3	0	2	2	0						3 Townhouses down
10	1315		1	118 Eldora	1	0	1	0	0	0	1	0	2	3	6	0	1	0					
	1320			Totals	6		5	3	1	0	0	4	8	26	67	103	11	5	3				20%

Radio Priority 1 - Life Threatening or growing, and Priority 2 - Property/Fire incidents immediately as you find them. ** Immediate Medical = life threatening; others are delayed/minor Use "?" for Unknown. Put an "X" in the OTHER column for descriptions that don't fit elsewhere.

• Levels of Communication - 1

Report Neighborhood a
 preloaded into the Mes
 The overall situation sta
 Operate in emergency and sta
 should be communicate
 ICS 213 Damage Summ

- By Packet Radio (pre)
- By Voice

EOC MESSAGE FORM		2.) When Receiving Msg.: Senders's msg. #	Msg. #	3.) When Sending Msg.: Receiving msg. #
PacFORMS adaption of SCCo ICS Form 213 (Ver. 2.1.3) By Phil Henderson, KF8ZSQ (This form works with Outpost/OpDirect for Automatic ASCII text save) For Instructions using this form Click Here.			MLN-	
This Form has been filled in using the Message Center Database Date: (MM/DD/YYYY) [01/09/2011]		4.) Situation & Severity (Select One) <input type="radio"/> EMERGENCY (e.g., Life Threat) <input type="radio"/> URGENT (e.g., Property Threat) <input checked="" type="radio"/> OTHER (All Others)		5.) Msg. Priority, Critical (Select One) <input type="radio"/> IMMEDIATE (As Soon as Possible) <input checked="" type="radio"/> PRIORITY (Less Than One Hour) <input type="radio"/> ROUTINE (More Than One Hour)
6.) Message Request You to: <input type="radio"/> TAKE ACTION (Check one) <input type="radio"/> Yes <input checked="" type="radio"/> No <input type="radio"/> REPLY (Check one) <input type="radio"/> Yes, by [] <input checked="" type="radio"/> No <input checked="" type="checkbox"/> FOR YOUR INFO. (No action required)				
7.) ICS Position: (required) Planning		8.) ICS Position: (required) Planning Leader		
9.) Location: (required) MTEVIOC		10.) Location: (required) MLN CERT		
11.) To: (optional) Name: (optional) Telephone #: (optional)		11.) From: (optional) Name: (optional) Telephone #: (optional)		
12.) SUBJECT: Neighborhood Summary for Monto Loma				
13.) REFERENCE (e.g., Number of earlier msg.):				
14.) Message (what, when, where needed; how long; contact name and phone number) KEEP MSG BRIEF Fires= Gas Leak= Water Leak= Electrical= Chemical= Bldg.: Light= Mod= Heavy= People: Immediate= Delayed= Trapped= Morgue= Roads: Access= No access= Neighborhood % surveyed=				
15.) Action Taken: (For use by Originator / Recipient) -> USE SEPARATE MESSAGE FORM IF SENDING REPLY!				
CC: <input type="checkbox"/> Management <input type="checkbox"/> Operations <input type="checkbox"/> Planning <input type="checkbox"/> Logistics <input type="checkbox"/> Finance				
16.) Operator use Only				
How Received <input type="radio"/> or Sent <input checked="" type="radio"/> (Check One this line and one below) <input type="radio"/> Telephone <input type="radio"/> Dispatch Center <input type="radio"/> EOC Radio <input type="radio"/> FAX <input type="radio"/> Courier <input type="radio"/> Amateur Radio <input checked="" type="radio"/> Other [PACKET]			Operator Call Sign: [] Operator Name: [] Date: [01/09/2011] Time: [1930]	
Outgoing (Sent): Message Originator: Send the top copy (white) to Radio, yellow to PLANNING, retain the pink copy for originators file. Radio: After sending, complete Action Taken info. in gray area, keep white for file in Radio.				
Incoming (Received): Radio: After receiving, complete Action Taken info. in gray area, route top copy (white) to the addressee, pink copy to PLANNING; retain yellow for file in Radio. Addressee: Take appropriate action.				

ARES/RACES MESSAGE FORM - Mozilla Firefox

file:///C:/PacFORMS/exec/CERT-DA-OldMtnView-Message.html?msgno=RVM-264P&ocal=KI6PUR&oname=Rick

EOC MESSAGE FORM

PacFORMS adaption of SCCo ICS Form 213 (Ver. 2.3.4) - PacRELEASE 3.5
By Phil Henderson, KF6ZSQ
(This form works with Outpost/OpDirect for Automatic ASCII text save)
For Instructions using this form [Click Here.](#)

2.) When Receiving Msg.: Senders's msg. # <input type="checkbox"/> Unlock msg. nos. 2 & 3		Msg. # OMV-001P RED Areas Required	3.) When Sending Msg.: Receiving msg. #
1a.) Date: (MM/DD/YY) 06/23/2011	4.) Situation Severity (Select One) <input type="radio"/> EMERGENCY <small>(e.g., Life Threat)</small> <input type="radio"/> URGENT <small>(e.g., Property Threat)</small> <input checked="" type="radio"/> OTHER <small>(All Others)</small>	5.) Msg. Handling Order (Select One) <input type="radio"/> IMMEDIATE <small>(As Soon as Possible)</small> <input checked="" type="radio"/> PRIORITY <small>(Less Than One Hour)</small> <input type="radio"/> ROUTINE <small>(More Than One Hour)</small>	6.) Message Requests You to: TAKE ACTION (Check one) <input type="radio"/> Yes <input checked="" type="radio"/> No REPLY (Check one) <input type="radio"/> Yes, by _____ <input checked="" type="radio"/> No <input checked="" type="checkbox"/> FOR YOUR INFO. <small>(No action required)</small>
1b.) Time: (24 hr. time) 1528 <small>0001 to 2400 2:00 PM = (2+12)=1400 Hrs.</small>	7.) ICS Position: (required) Display Dropdown List Planning	8.) ICS Position: (required) Display Dropdown List Planning Leader	

12.) Message (what, when, where needed; how long; contact name and phone number) **KEEP MSG BRIEF**

Fires=6 Gas Leak=5 Water Leak=3 Electrical=1 Chemical=0
 Bldg.: Light=0 Mod=4 Heavy=8
 People: Immediate=26 Delayed=67 Trapped=103 Morgue=11
 Roads: Access=5 No access=3 Neighborhood & surveyed=20

13.) Action Taken: (For use by Originator / Recipient) -> USE SEPARATE MESSAGE FORM IF SENDING REPLY!

start OpDirect MCS Outpost Packet Mess... ARES/RACES MESSA... 88% 3:33 PM

Msg. #
OMV-1

Message Requests You to:
 TAKE ACTION (Check one)
 Yes
 No
 REPLY (Check one)
 Yes, by _____
 FOR YOUR INFO.
(No action required)

7.) ICS Position: (required)
 ntv OMV
 Planning Leader

Location: (required)
 Name: (optional)
 Telephone #: (optional)

what and phone number) **KEEP MSG BRIEF**
 Electric = 1
 Morgue = 11
 REPLY!

OMV-001P_O/P_IC213_Neighborhood Summary for Old Mtn View - Packet Message

File Edit Actions Window Help

Print Send Save Delete Close Urg Pvt Bul NTS

Private Message

Bbs: W6XSC-3

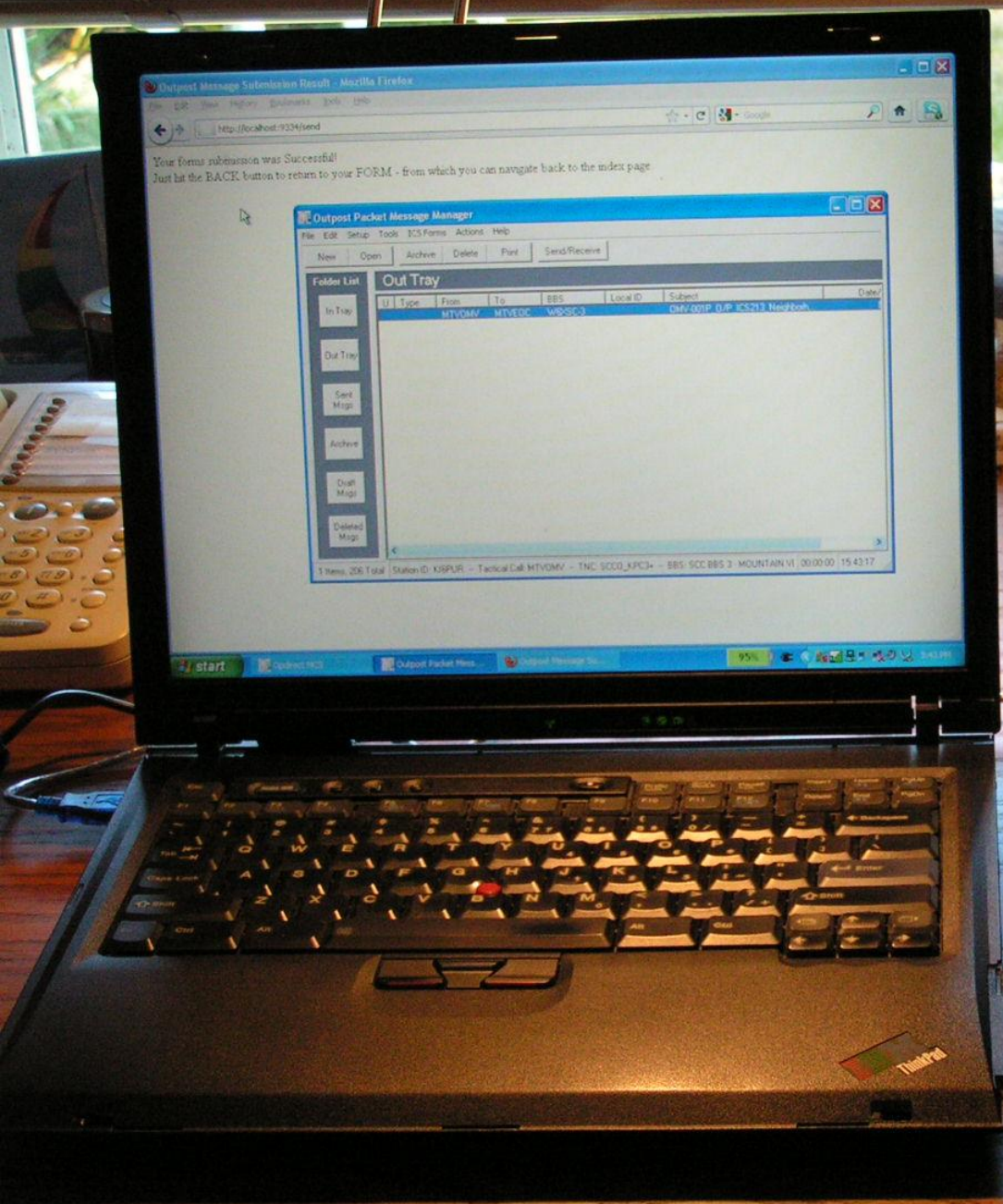
From: MTVOMV

To: MTVEOC

Subject: OMV-001P_O/P_IC213_Neighborhood Summary for Old Mtn View

```

|PACF! OMV-001P_O/P_IC213_Neighborhood Summary for Old Mtn View
# EOC MESSAGE FORM
# JS-ver. 2.3.4, 04-24-11, PR35
# FORMFILENAME: CERT-DA-OldMtnView-Message.html
MsgNo: [OMV-001P]
1a.: [06/23/2011]
1b.: [1528]
4.: [OTHER]
5.: [PRIORITY]
6a.: [No]
6b.: [No]
6c.: [checked]
7.: [Planning]
9a.: [MTVEOC]
8.: [Planning Leader]
9b.: [Old Mtn View CERT]
10.: [Neighborhood Summary for Old Mtn View]
12.: [:Fires=6 Gas Leak=5 Water Leak=3 Electrical=1 Chemical=0;Bldg.:
Light=0 Mod=4 Heavy=8;People:Immediate=26
Delayed=67 Trapped=103 Morgue=11;Roads: Access=5
No access=3 Neighborhood % surveyed=20%]
Rec-Sent: [Sent]
Method: [Other]
Other: [Packet]
OpCall: [KI6PUR]
OpName: [Rick]
OpDate: [06/23/2011]
OpTime: [1534]
#EOF
    
```



REPAIR: Rick Van Moll Packet TNC
1. Connect Serial to Remote TNC part - COM3
2. Connect serial cable to Kongsentech KPC-3 Plus
3. Connect audio cable to Yamao FT-69
4. Turn on TNC, 2. TNC, 3. FT-69 Green click only
5. Turn speaker down for maximum communication
6. Turn up volume until green TNC light comes on
7. Turn up speaker until green light goes off
8. Tune to 144.310 for Radio Shack
Rick Van Moll
650-962-1515

At K6MTV Receiving Packet Station

Outpost Packet Message Manager

File Edit Setup Tools ICS Forms Actions Help

New Open Archive Delete Print Send/Receive

Folder List

In Tray

U	Type	From	To	BBS	Local ID	Subject	Date/Time	Size
		mtvomv@w6xsc-3.ampr.org	MTVEOC	W6XSC-3	MTV12...	OMV-1_O/P_IC5213_Initial Ne...	5/15/2011 1...	902
		mtvsv@w6xsc-3.ampr.org	MTVEOC	W6XSC-3	MTV12...	SLV109	5/15/2011 1...	219
		mtvmln@w6xsc-3.ampr.org	MTVEOC	W6XSC-3	MTV12...	MLN-111P_O/P_IC5213_Advi...	5/15/2011 1...	639
		mtvex@w6xsc-3.ampr.org	MTVEOC	W6XSC-3	MTV12...	MLN-110P_O/P_IC5213_Neig...	5/15/2011 1...	741
		kf6zsq@w6xsc-3.ampr.org	MTVEOC	W6XSC-3	MTV12...	XXX114P_D/P_IC5213_Neigh...	5/15/2011 1...	658
		mtvcpk@w6xsc-3.ampr.org	MTVEOC	W6XSC-3	MTV11...	ZSQ210P_O/R_IC5213_Requ...	5/15/2011 1...	734
		kf6zsq@w6xsc-2.ampr.org	MTVEOC	W6XSC-3	MTV12...	CPK384: Test Message	5/15/2011 1...	52
		mtvmln@w6xsc-3.ampr.org	MTVEOC	W6XSC-3	MTV11...	ZSQ210P_O/R_IC5213_Requ...	5/15/2011 1...	734
		k6fcw@w6xsc-3.ampr.org	MTVEOC	W6XSC-3	MTV11...	MLN-109: Monta Loma Operati...	5/15/2011 1...	126
		mtveoc@w6xsc-3.ampr.org	MTVEOC	W6XSC-3	MTV115P	ADA101	5/15/2011 12:44	39
		mtvsv@w6xsc-3.ampr.org	MTVEOC	W6XSC-3	MTV114P	SLV101	5/15/2011 12:09	32
		mtvsh@w6xsc-3.ampr.org	MTVEOC	W6XSC-3	MTV115P	SLV100P_O/R_IC5213_hello	5/15/2011 12:09	363
		k6fcw@w6xsc-3.ampr.org	MTVEOC	W6XSC-3	MTV11...	FCW0514A_O/R_SRPt_MV...	5/14/2011 2...	1363
		k6fcw@w6xsc-3.ampr.org	K6FCW...	W6XSC-3	MTV11...	FCW100:	5/14/2011 2...	126
		mtveoc@w6xsc-3.ampr.org	mtveoc...	W6XSC-3	MTV11...	DELIVERED: MTV109P_O/R_I...	5/13/2011 1...	127

15 Items, 52 Total Station ID: K6MTV - Tactical Call: MTVEOC - TNC: TELNET - BBS: SCC BBS 3 - MOUNTAIN VIEW 10:35:07 14:01:53

CERT Forms.piz ICS-314 Mountain View CERT Comm Windshiel... Neighborho... CERT Comm Plan j CERT Comm Training - 5...

start Document1 - Mic... http://callsign.uk... Opdract MCS Outpost Packet ... C:\Documents an... Packet Log Monitor Windows Exp... 14:01

RIMS PACKET OPERATOR



In EOC Room: Drill 5/15/11 1st Set of Packet Messages at 1320

DA Summary																
File Settings Help																
	Fires Burning	Gas Leaks	Water Leaks	Electrical	Chemical	Light	Building Moderate	Heavy	Immediate	People Delayed	Trapped	Morgue	Roads Access	No Access	Neighborhood % Surveyed	Report Time
TOTALS:	8	7	6	2	0	11	7	10	27	68	105	11	5	3	2 %	1320
Ada Park	-	-	-	-	-	-	-	-	-	-	-	-	-	-	-	-
Appletree Area	-	-	-	-	-	-	-	-	-	-	-	-	-	-	-	-
The Crossings	-	-	-	-	-	-	-	-	-	-	-	-	-	-	-	-
Cuesta Park	-	-	-	-	-	-	-	-	-	-	-	-	-	-	-	-
Dutch Haven	-	-	-	-	-	-	-	-	-	-	-	-	-	-	-	-
Monta Loma	-	2	3	1	-	7	1	-	-	1	-	-	-	-	10 %	1319
Mountain View Gardens	-	-	-	-	-	-	-	-	-	-	-	-	-	-	-	-
North Whisman	-	-	-	-	-	-	-	-	-	-	-	-	-	-	-	-
Old Mtn. View	6	5	3	1	0	0	4	8	26	67	103	11	5	3	20 %	1320
Rex Manor	2	-	-	-	-	4	2	2	1	-	2	-	-	-	-	1312
Saint Francis Acres	-	-	-	-	-	-	-	-	-	-	-	-	-	-	-	-
Shady Ridge	-	-	-	-	-	-	-	-	-	-	-	-	-	-	-	-
Sylvan Park	-	-	-	-	-	-	-	-	-	-	-	-	-	-	-	-
Wagon Wheel	-	-	-	-	-	-	-	-	-	-	-	-	-	-	-	-



C:\...packetCommLog_101111_Recvd.csv 01-Jun-2011 01:01

Monitor is On

New Information: Click to reset



In EOC Room: Drill 5/15/11 1st Set of Packet Messages at 1320

DA Summary																
File Settings Help																
	Fires Burning	Gas Leaks	Water Leaks	Electrical	Chemical	Light	Building Moderate	Heavy	Immediate	People Delayed	Trapped	Morgue	Roads Access	No Access	Neighborhood % Surveyed	Report Time
TOTALS:	8	7	6	2	0	11	7	10	27	68	105	11	5	3	2 %	1320
Ada Park	-	-	-	-	-	-	-	-	-	-	-	-	-	-	-	-
Appletree Area	-	-	-	-	-	-	-	-	-	-	-	-	-	-	-	-
The Crossings	-	-	-	-	-	-	-	-	-	-	-	-	-	-	-	-
Cuesta Park	-	-	-	-	-	-	-	-	-	-	-	-	-	-	-	-
Dutch Haven	-	-	-	-	-	-	-	-	-	-	-	-	-	-	-	-
Monta Loma	-	2	3	1	-	7	1	-	-	1	-	-	-	-	10 %	1319
Mountain View Gardens	-	-	-	-	-	-	-	-	-	-	-	-	-	-	-	-
North Whisman	-	-	-	-	-	-	-	-	-	-	-	-	-	-	-	-
Old Mtn. View	6	5	3	1	0	0	4	8	26	67	103	11	5	3	20 %	1320
Rex Manor	2	-	-	-	-	4	2	2	1	-	2	-	-	-	-	1312
Saint Francis Acres	-	-	-	-	-	-	-	-	-	-	-	-	-	-	-	-
Shady Ridge	-	-	-	-	-	-	-	-	-	-	-	-	-	-	-	-
Sylvan Park	-	-	-	-	-	-	-	-	-	-	-	-	-	-	-	-
Wagon Wheel	-	-	-	-	-	-	-	-	-	-	-	-	-	-	-	-

0 = reported number

- = no report



C:\...packetCommLog_101111_Recvd.csv 01-Jun-2011 01:01

Monitor is On

New Information: Click to reset



In EOC Room: Drill 5/15/11 1st Set of Packet Messages at 1320

DA Summary

File Settings Help

	Fires Burning	Gas Leaks	Water Leaks	Electrical	Chemical	Light	Building Moderate	Heavy	Immediate	People Delayed	Trapped	Morgue	Roads Access	No Access	Neighborhood % Surveyed	Report Time
TOTALS:	8	7	6	2	0	11	7	10	27	68	105	11	5	3	2 %	1320
Ada Park	-	-	-	-	-	-	-	-	-	-	-	-	-	-	-	-
Appletree Area	-	-	-	-	-	-	-	-	-	-	-	-	-	-	-	-
The Crossings	-	-	-	-	-	-	-	-	-	-	-	-	-	-	-	-
Cuesta Park	-	-	-	-	-	-	-	-	-	-	-	-	-	-	-	-
Dutch Haven	-	-	-	-	-	-	-	-	-	-	-	-	-	-	-	-
Monta Loma	-	2	3	1	-	7	1	-	-	1	-	-	-	-	10 %	1319
Mountain View Gardens	-	-	-	-	-	-	-	-	-	-	-	-	-	-	-	-
North Whisman	-	-	-	-	-	-	-	-	-	-	-	-	-	-	-	-
Old Mtn. View	6	5	3	1	0	0	4	8	26	67	103	11	5	3	20 %	1320
Rex Manor	2	-	-	-	-	4	2	2	1	-	2	-	-	-	-	1312
Saint Francis Acres	-	-	-	-	-	-	-	-	-	-	-	-	-	-	-	-
Shady Ridge	-	-	-	-	-	-	-	-	-	-	-	-	-	-	-	-
Sylvan Park	-	-	-	-	-	-	-	-	-	-	-	-	-	-	-	-
Wagon Wheel	-	-	-	-	-	-	-	-	-	-	-	-	-	-	-	-



C:\...packetCommLog_101111_Recvd.csv 01-Jun-2011 01:01

Monitor is On

New Information: Click to reset



In EOC Room: Drill 5/15/11 1st Set of Packet Messages at 1320

DA Summary

File Settings Help

	Fires Burning	Gas Leaks	Water Leaks	Electrical	Chemical	Light	Building Moderate	Heavy	Immediate	People Delayed	Trapped	Morgue	Roads Access	No Access	Neighborhood % Surveyed	Report Time
TOTALS:	8	7	6	2	0	11	7	10	27	68	105	11	5	3	2 %	1320
Ada Park	-	-	-	-	-	-	-	-	-	-	-	-	-	-	-	-
Appletree Area	-	-	-	-	-	-	-	-	-	-	-	-	-	-	-	-
The Crossings	-	-	-	-	-	-	-	-	-	-	-	-	-	-	-	-
Cuesta Park	-	-	-	-	-	-	-	-	-	-	-	-	-	-	-	-
Dutch Haven	-	-	-	-	-	-	-	-	-	-	-	-	-	-	-	-
Monta Loma	-	2	3	1	-	7	1	-	-	1	-	-	-	-	10 %	1319
Mountain View Gardens	-	-	-	-	-	-	-	-	-	-	-	-	-	-	-	-
North Whisman	-	-	-	-	-	-	-	-	-	-	-	-	-	-	-	-
Old Mtn. View	6	5	3	1	0	0	4	8	26	67	103	11	5	3	20 %	1320
Rex Manor	2	-	-	-	-	4	2	2	1	-	2	-	-	-	-	1312
Saint Francis Acres	-	-	-	-	-	-	-	-	-	-	-	-	-	-	-	-
Shady Ridge	-	-	-	-	-	-	-	-	-	-	-	-	-	-	-	-
Sylvan Park	-	-	-	-	-	-	-	-	-	-	-	-	-	-	-	-
Wagon Wheel	-	-	-	-	-	-	-	-	-	-	-	-	-	-	-	-



C:\...packetCommLog_101111_Recvd.csv 01-Jun-2011 01:01

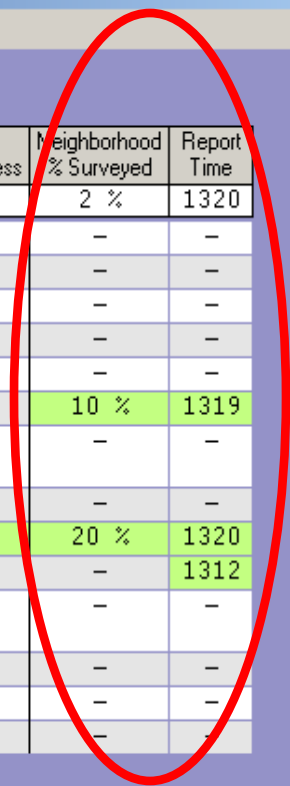
Monitor is On

New Information: Click to reset



In EOC Room: Drill 5/15/11 1st Set of Packet Messages at 1320

DA Summary																
File Settings Help																
	Fires Burning	Gas Leaks	Water Leaks	Electrical	Chemical	Light	Building Moderate	Heavy	Immediate	People Delayed	Trapped	Morgue	Roads Access	No Access	Neighborhood % Surveyed	Report Time
TOTALS:	8	7	6	2	0	11	7	10	27	68	105	11	5	3	2 %	1320
Ada Park	-	-	-	-	-	-	-	-	-	-	-	-	-	-	-	-
Appletree Area	-	-	-	-	-	-	-	-	-	-	-	-	-	-	-	-
The Crossings	-	-	-	-	-	-	-	-	-	-	-	-	-	-	-	-
Cuesta Park	-	-	-	-	-	-	-	-	-	-	-	-	-	-	-	-
Dutch Haven	-	-	-	-	-	-	-	-	-	-	-	-	-	-	-	-
Monta Loma	-	2	3	1	-	7	1	-	-	1	-	-	-	-	10 %	1319
Mountain View Gardens	-	-	-	-	-	-	-	-	-	-	-	-	-	-	-	-
North Whisman	-	-	-	-	-	-	-	-	-	-	-	-	-	-	-	-
Old Mtn. View	6	5	3	1	0	0	4	8	26	67	103	11	5	3	20 %	1320
Rex Manor	2	-	-	-	-	4	2	2	1	-	2	-	-	-	-	1312
Saint Francis Acres	-	-	-	-	-	-	-	-	-	-	-	-	-	-	-	-
Shady Ridge	-	-	-	-	-	-	-	-	-	-	-	-	-	-	-	-
Sylvan Park	-	-	-	-	-	-	-	-	-	-	-	-	-	-	-	-
Wagon Wheel	-	-	-	-	-	-	-	-	-	-	-	-	-	-	-	-



C:\...packetCommLog_101111_Recvd.csv 01-Jun-2011 01:01

Monitor is On

New Information: Click to reset



Drill 5/15/11 Set of Packet Messages at 1414

DA Summary																
File Settings Help																
	Fires Burning	Gas Leaks	Water Leaks	Electrical	Chemical	Light	Building Moderate	Heavy	Immediate	People Delayed	Trapped	Morgue	Roads Access	No Access	Neighborhood % Surveyed	Report Time
TOTALS:	12	11	9	7	1	21	21	18	43	76	131	12	6	5	9 %	1414
Ada Park	-	-	-	-	-	-	-	-	-	-	-	-	-	-	-	-
Appletree Area	-	-	-	-	-	-	-	-	-	-	-	-	-	-	-	-
The Crossings	-	-	-	-	-	-	-	-	-	-	-	-	-	-	-	-
Cuesta Park	2	2	1	2	0	1	11	6	16	-	24	-	-	1	50 %	1414
Dutch Haven	-	-	-	-	-	-	-	-	-	-	-	-	-	-	-	-
Monta Loma	2	4	5	3	-	16	3	1	-	4	1	-	-	1	40 %	1408
Mountain View Gardens	-	-	-	-	-	-	-	-	-	-	-	-	-	-	-	-
North Whisman	-	-	-	-	-	-	-	-	-	-	-	-	-	-	-	-
Old Mtn. View	6	5	3	1	0	0	4	8	26	67	103	11	5	3	20 %	1320
Rex Manor	2	-	-	-	-	4	2	2	1	-	2	-	-	-	-	1312
Saint Francis Acres	-	-	-	-	-	-	-	-	-	-	-	-	-	-	-	-
Shady Ridge	0	0	0	1	1	-	1	1	0	5	1	1	1	-	10 %	1408
Sylvan Park	-	-	-	-	-	-	-	-	-	-	-	-	-	-	-	1346
Wagon Wheel	-	-	-	-	-	-	-	-	-	-	-	-	-	-	-	-

• *Full backup(s) every update*



C:\...packetCommLog_101111_Recvd.csv 01-Jun-2011 01:01

Monitor is On

New Information. Click to reset



Drill 5/15/11 Last Set of Packet Messages at 1453

DA Summary _ □ ×

File Settings Help

	Fires Burning	Gas Leaks	Water Leaks	Electrical	Chemical	Light	Building Moderate	Heavy	Immediate	People Delayed	Trapped	Morgue	Roads Access	No Access	Neighborhood % Surveyed	Report Time
TOTALS:	26	19	21	15	11	163	69	56	89	202	152	25	6	14	47 %	1453
Ada Park	2	2	1	1	0	3	2	1	6	1	3	1	0	-	100 %	1435
Appletree Area	1	1	0	0	0	3	4	3	5	4	2	0	0	-	100 %	1421
The Crossings	-	-	-	-	-	-	-	-	-	-	-	-	-	-	-	-
Cuesta Park	2	2	1	2	0	1	11	6	29	6	24	1	-	1	75 %	1445
Dutch Haven	-	-	-	-	-	-	-	-	-	-	-	-	-	-	-	-
Monta Loma	5	6	7	6	-	28	5	2	-	11	3	1	1	3	99 %	1442
Mountain View Gardens	-	-	-	-	-	-	-	-	-	-	-	-	-	-	-	-
North Whisman	1	2	3	1	8	10	2	4	2	33	0	4	0	0	100 %	1450
Old Mtn. View	10	1	7	3	0	113	40	31	36	135	117	17	4	9	90 %	1445
Rex Manor	4	4	1	-	1	5	2	7	8	-	2	-	-	-	-	1453
Saint Francis Acres	-	-	-	-	-	-	-	-	-	-	-	-	-	-	-	-
Shady Ridge	1	0	0	2	1	-	1	1	1	7	1	1	1	-	100 %	1430
Sylvan Park	-	-	-	-	-	-	-	-	-	-	-	-	-	-	-	1346
Wagon Wheel	-	1	1	-	1	-	2	1	2	5	-	-	-	1	-	1426



C:\...packetCommLog_101111_Recvd.csv 01-Jun-2011 01:01

■ Monitor is On

New Information. Click to reset



Summary

- ◆ Hams work with Neighborhood CERTs
- ◆ Damage Assessment Form is Standard
- ◆ PacForms Mirrors Damage Assessment Form
- ◆ Hams use Outpost Packet & PacForms
- ◆ PacForms built into Outpost Menu bar
- ◆ Direct Transmission to EOC Screen
- ◆ No Transcription Errors or Delays
- ◆ Easy to Teach & Easy to Use

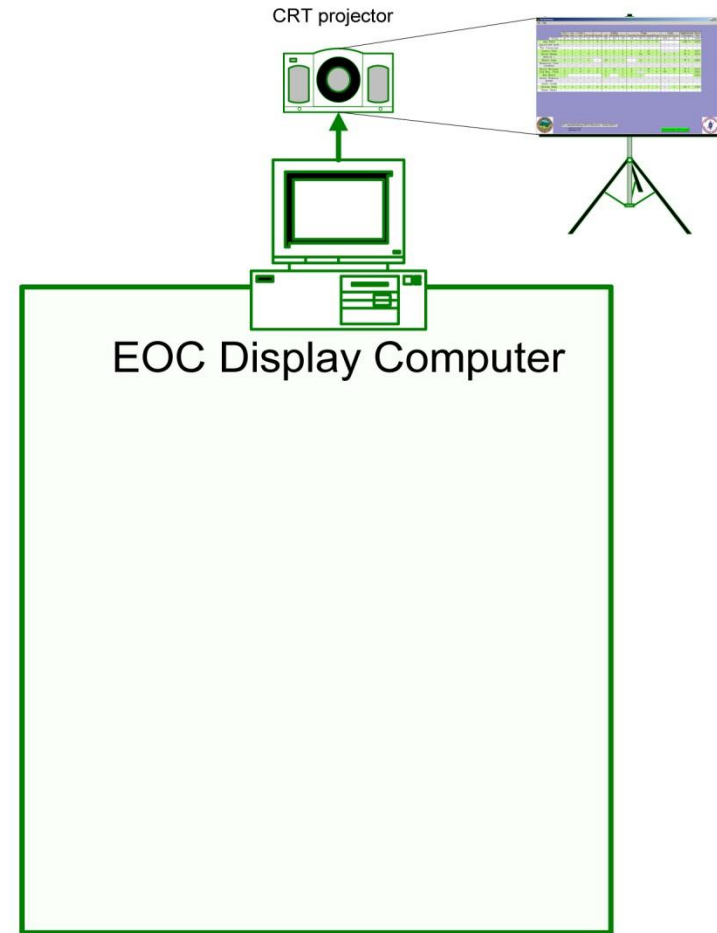
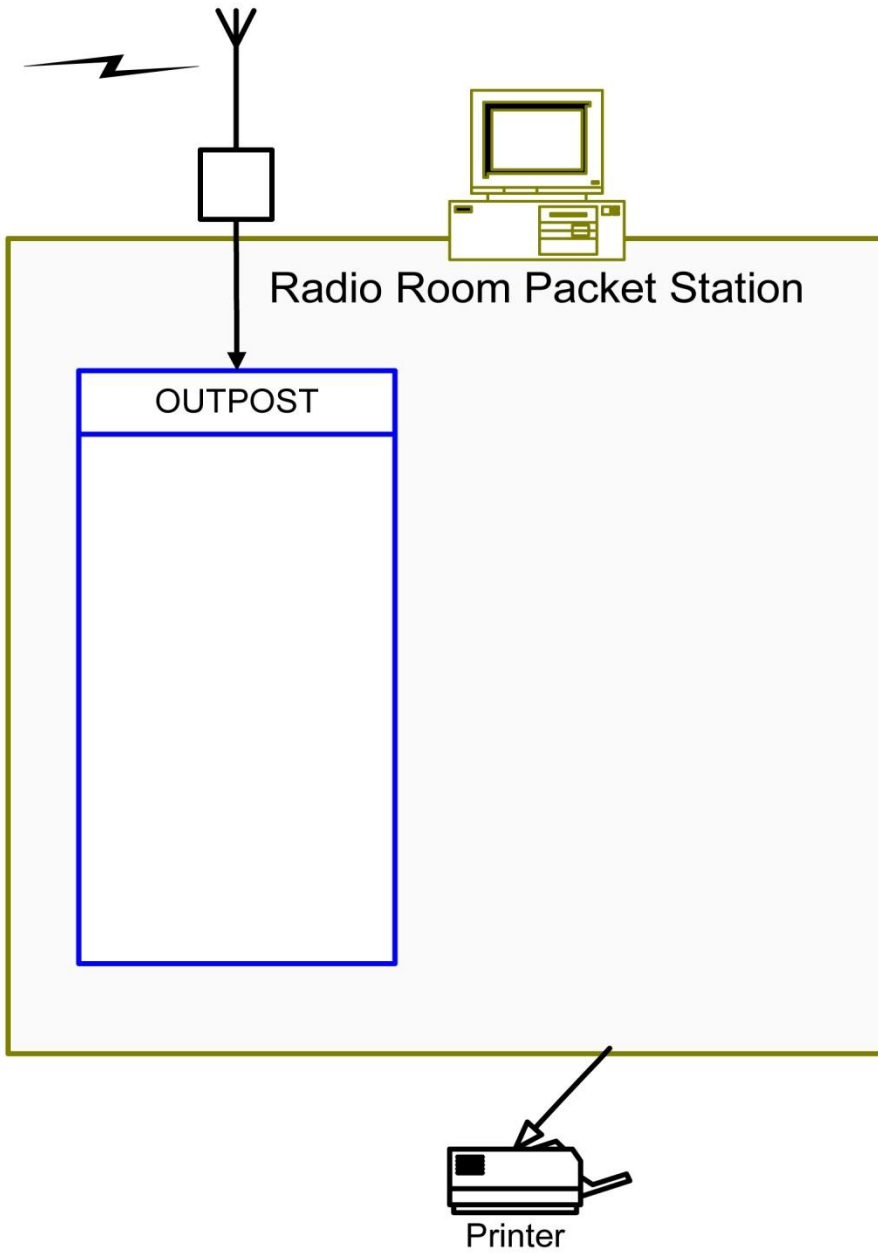
Implementation in Mountain View

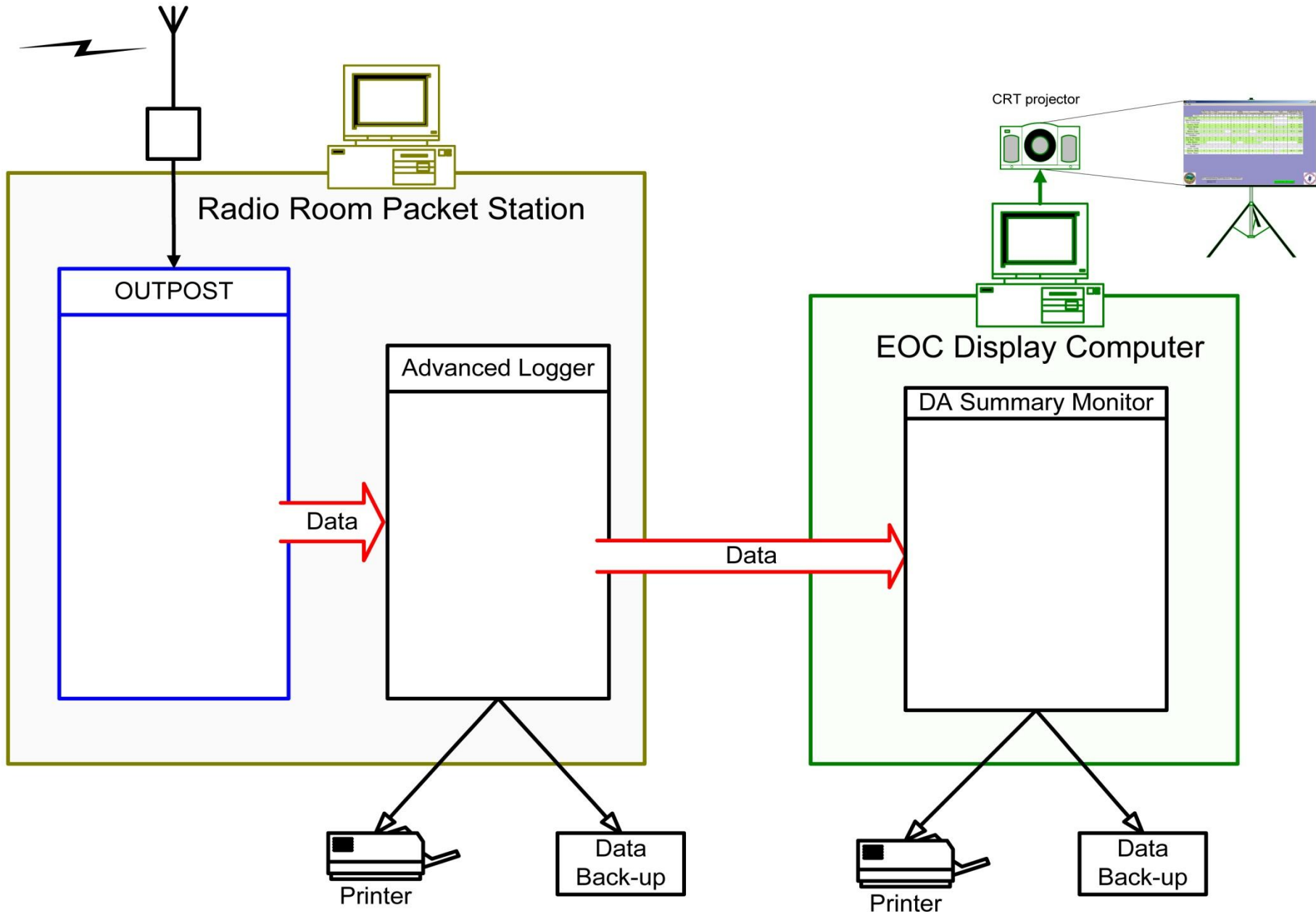
Possible with one computer, but packet operator & EOC personnel are going to be using the same computer.

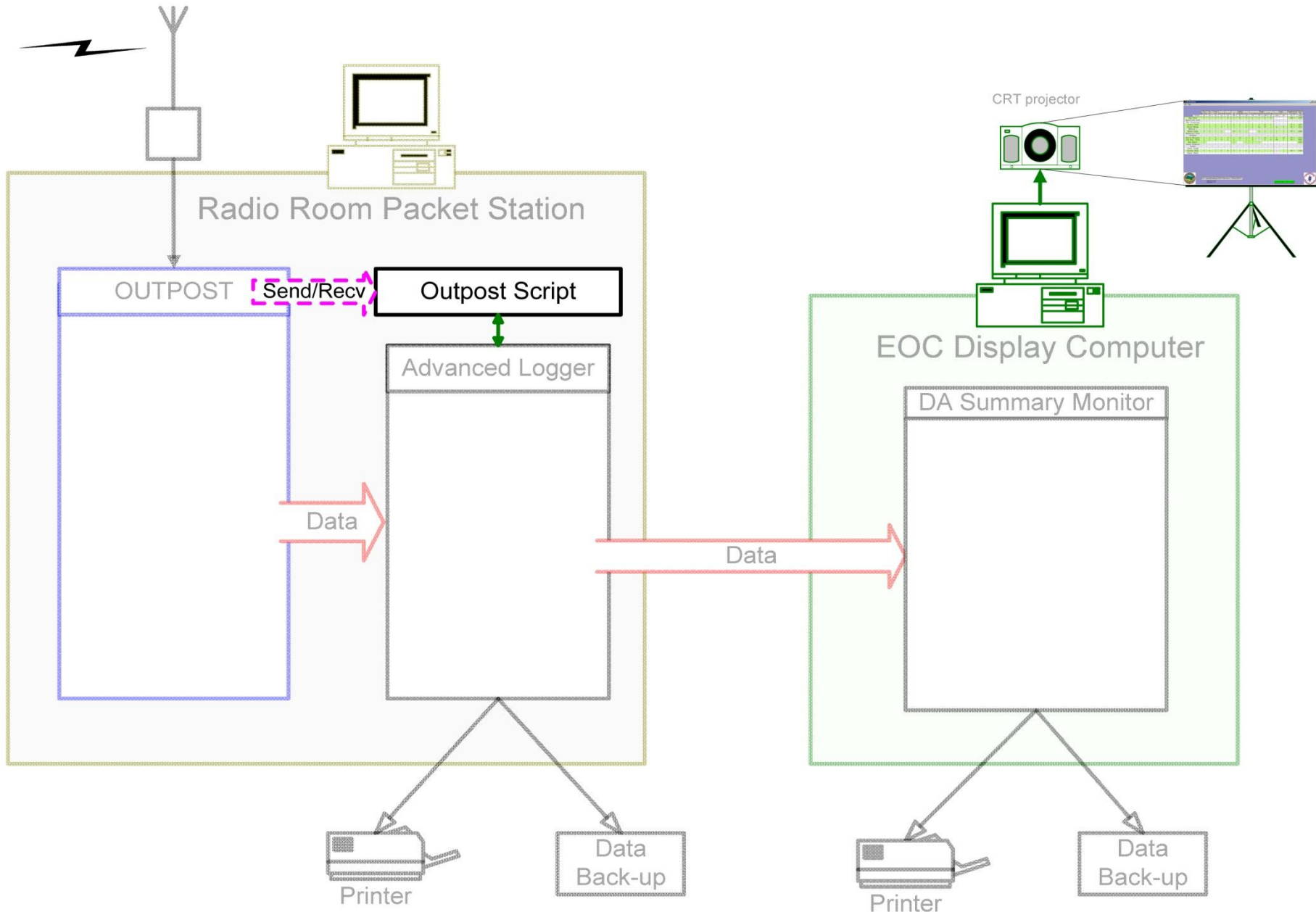
Preferred: two computers connected together

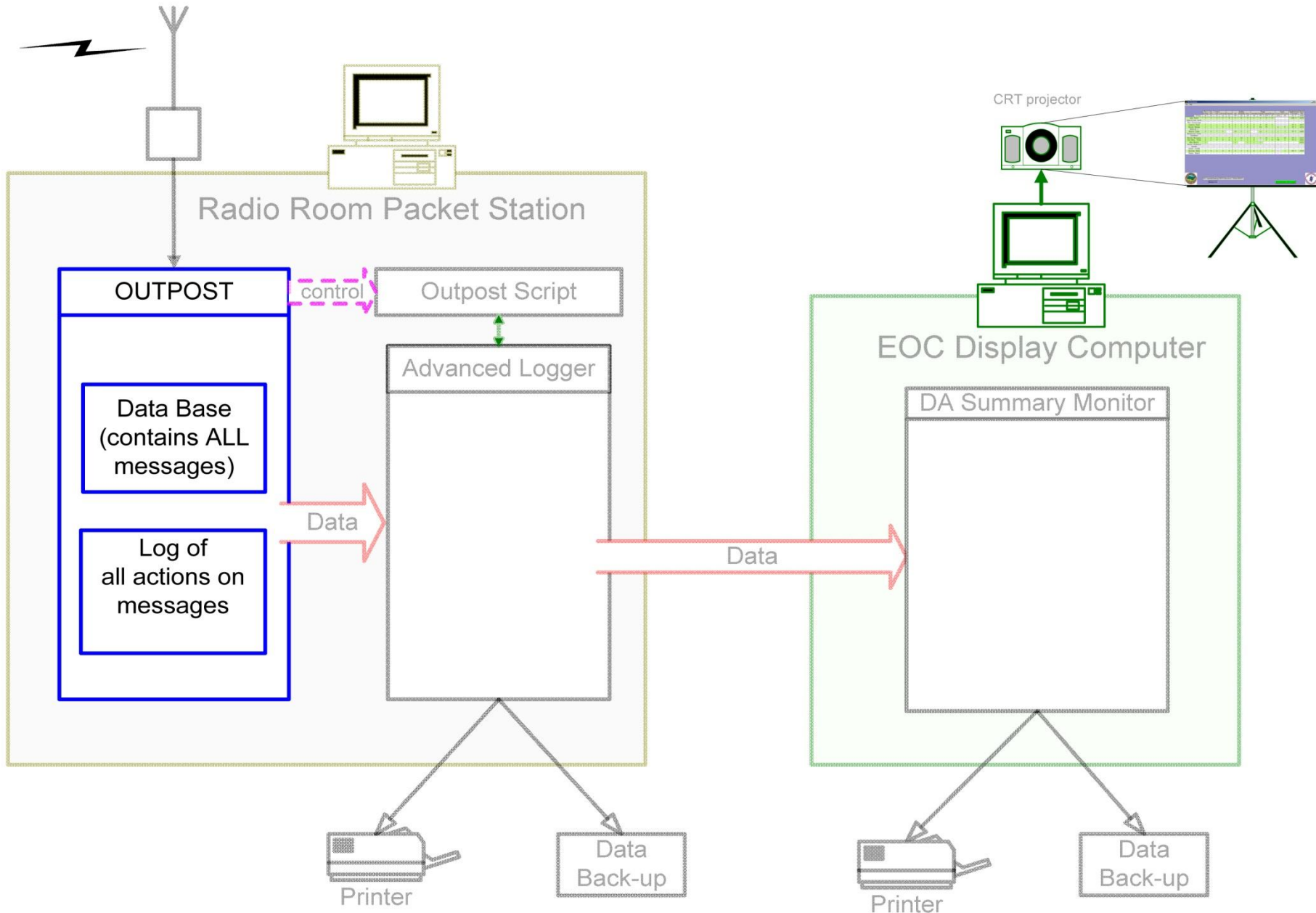
#1 Packet station in radio room

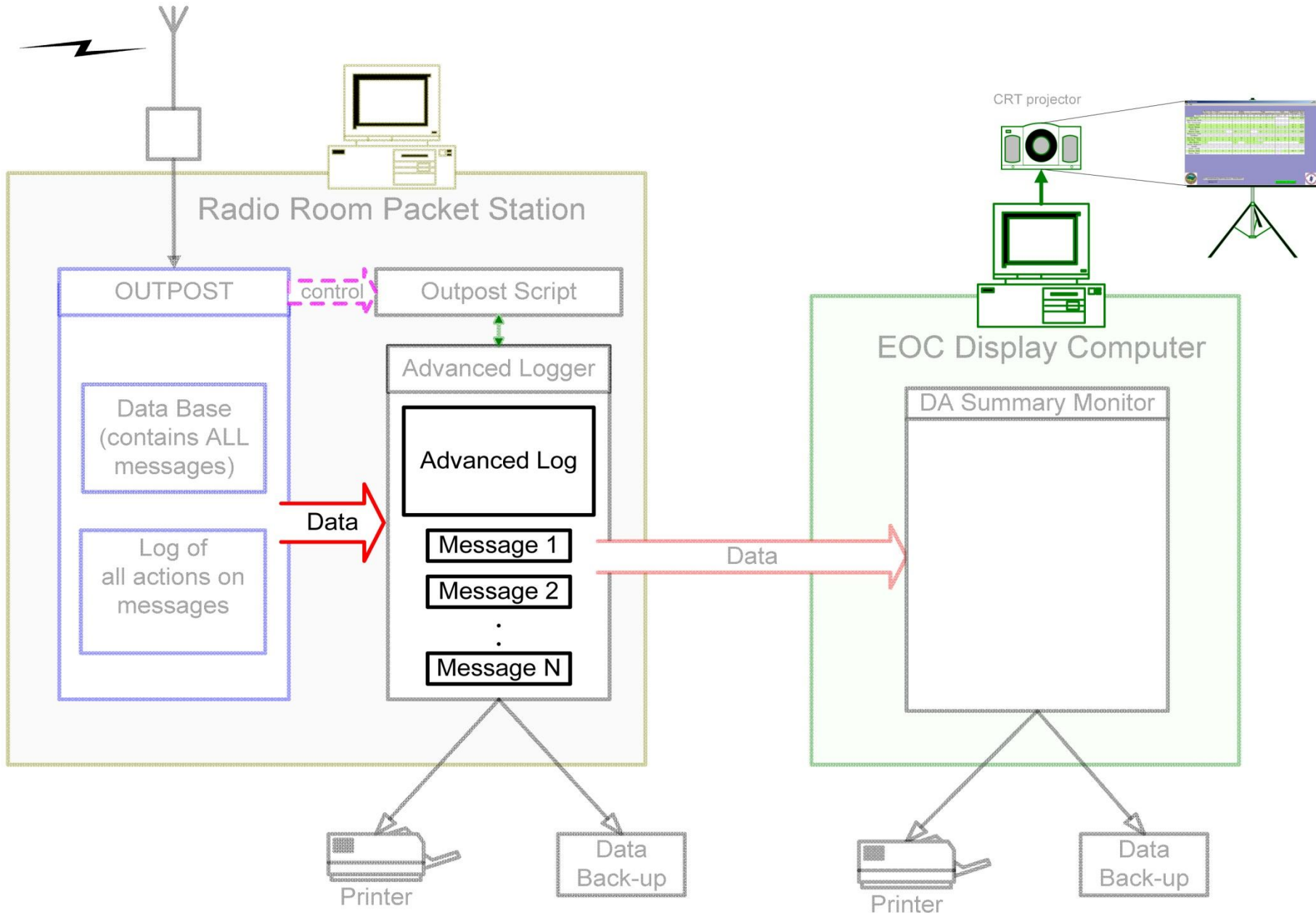
#2 Projector computer in EOC

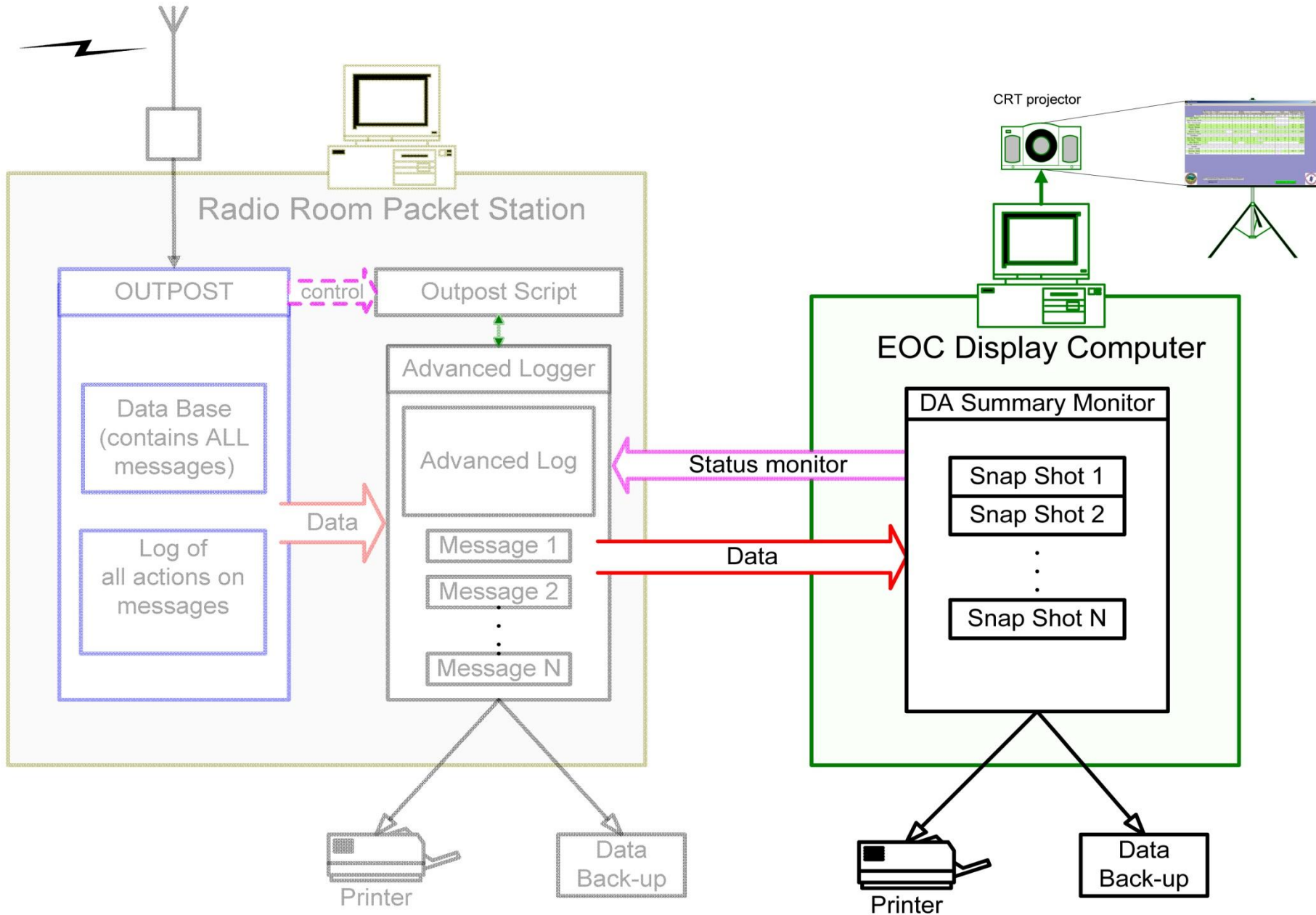


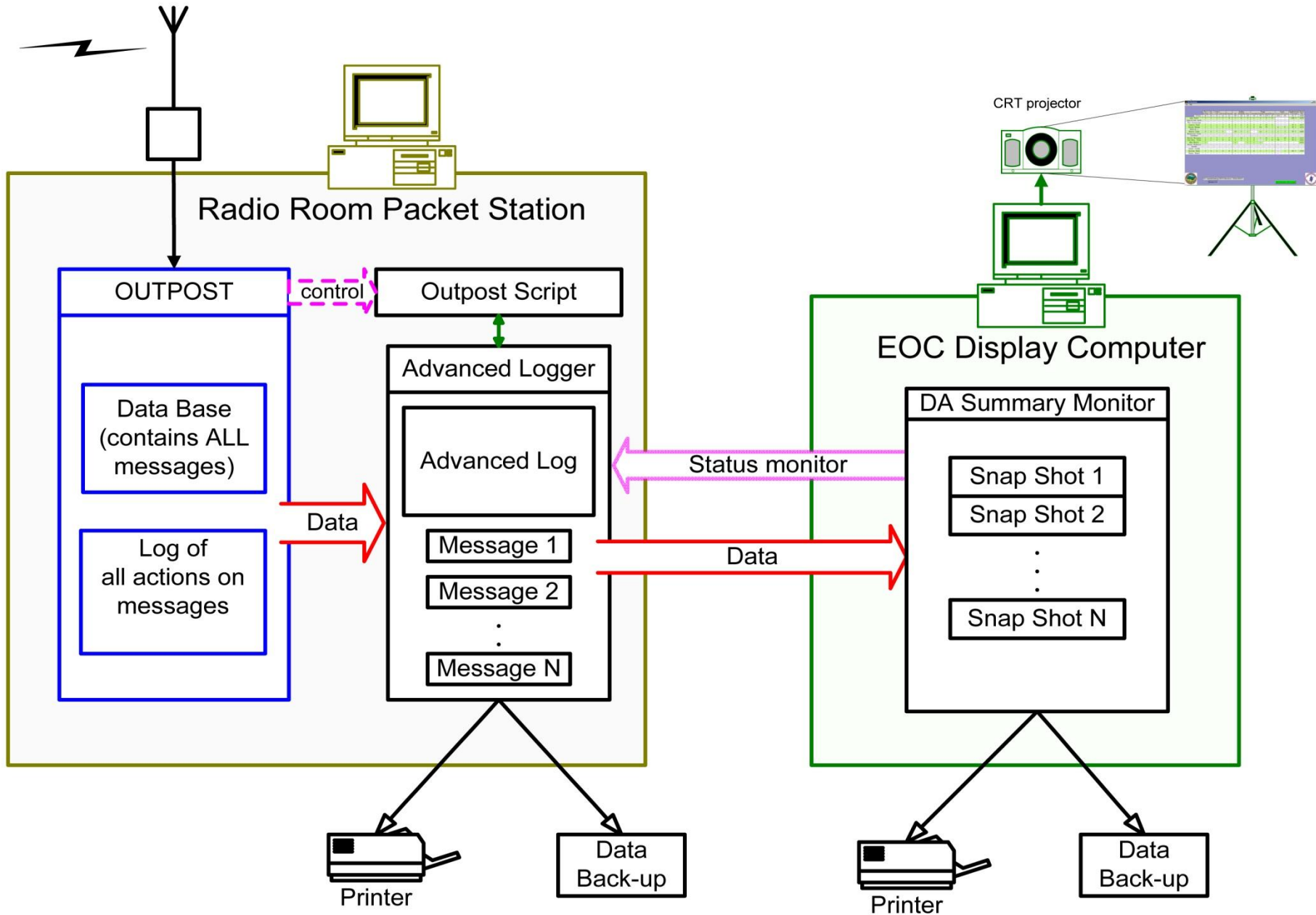












Demonstration

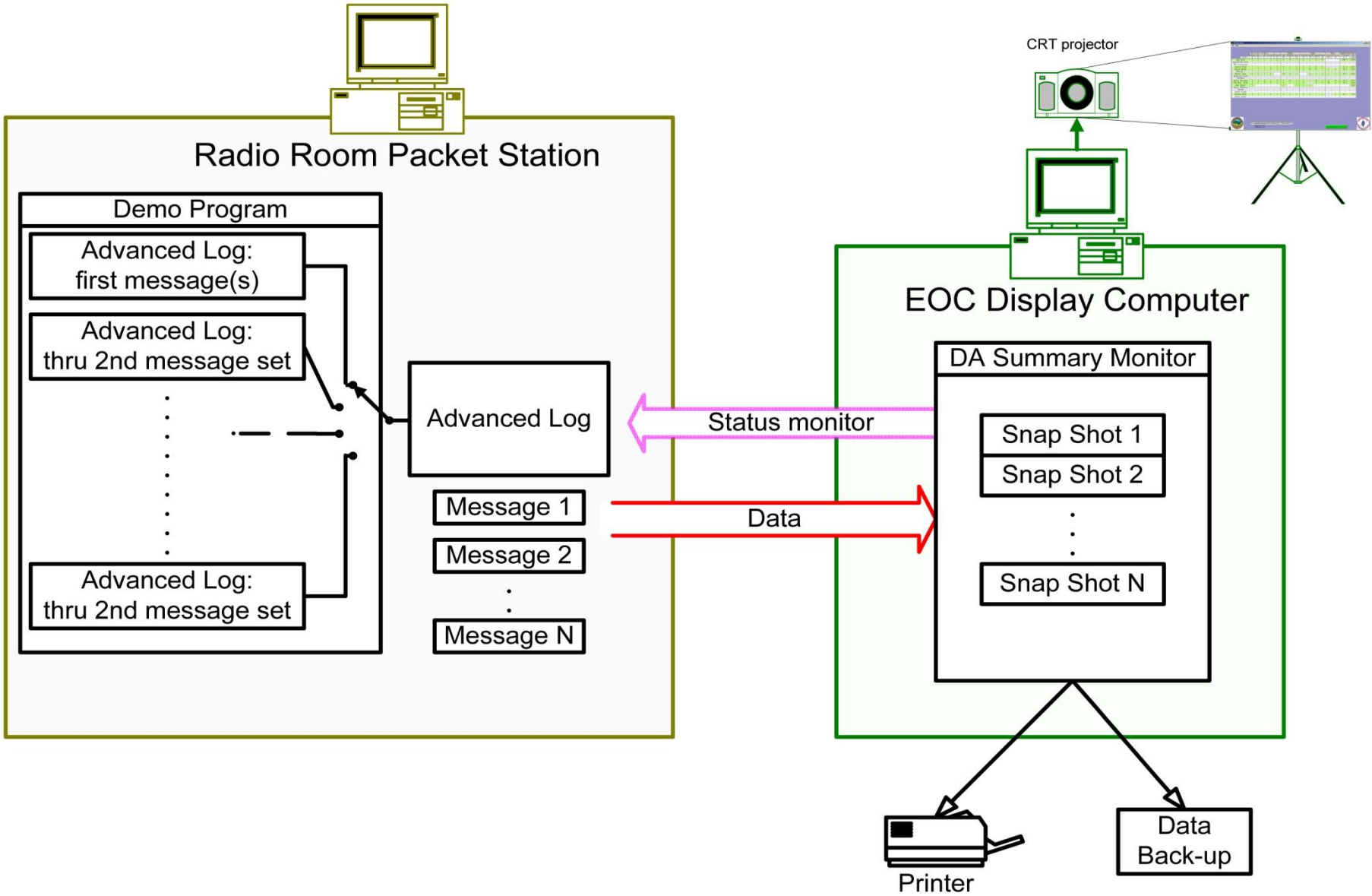
Replay of Drill Traffic, Mountain View Radio Room to Mountain View EOC, October 22, 2011

Two Computers on LAN (not internet)

Radio Room Computer runs Advanced Packet Logger

EOC Computer runs Display Program

Display program automatically monitors Radio Room computer . . .



Contributors . . .

Jerry Haag (K6GAC, EC in Mountain View)

Lynn Brown (EM for Mountain View)

Jim Oberhofer (Outpost Packet Message Manager creator)

Phil Henderson ("PacFORMS" author)

Bob Fishman (Mountain View AEC)

Rick Van Mell (Mountain View CERT)

Andy Rose (Advanced Packet Logger & Display creator)

All XYLs & families

For Additional Information:

ARS@MountainView.gov